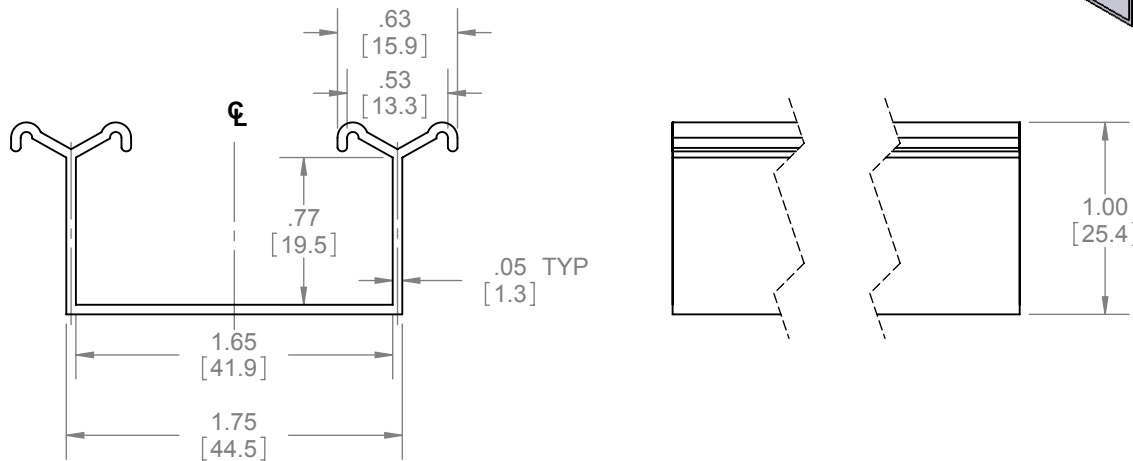
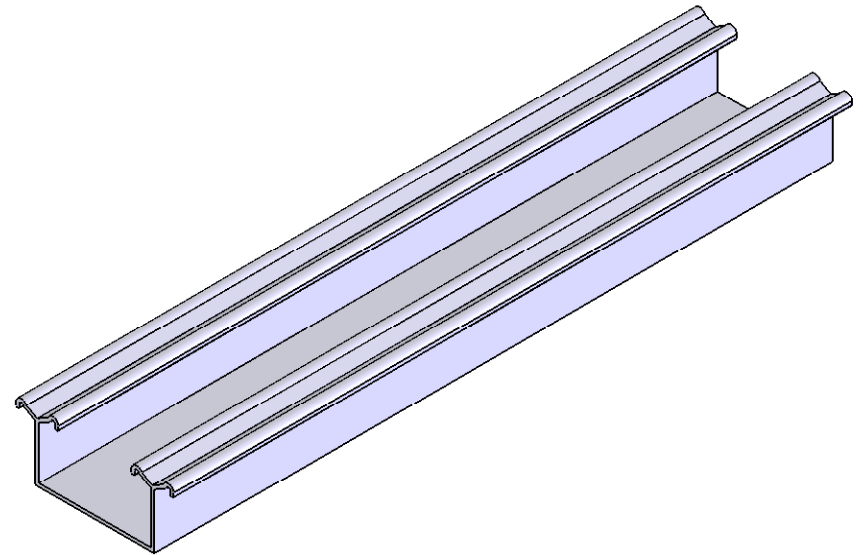


REVISIONS		
REV.	DESCRIPTION	DATE
01	NEW DRAWING FOR WEB	3/20/2008



NOTES:
 - FOR DOORS UP TO 125LBS.(57kg)
 - JUMP PROOF V-SHAPED RAILS

LENGTHS:
 - 48"(1219mm) TO 144"(3657mm)



PROPRIETARY & CONFIDENTIAL
 THE INFORMATION CONTAINED IN THIS DRAWING IS THE SOLE PROPERTY OF HAGER COMPANIES. ANY REPRODUCTION IN PART OR AS A WHOLE WITHOUT THE WRITTEN PERMISSION OF HAGER COMPANIES IS PROHIBITED.

HAGER RESERVES THE RIGHT TO MAKE DESIGN CHANGES WITHOUT NOTICE. CALL HAGER ENGINEERING AT 1-800-325-9995 FOR THE LATEST REVISION DATE OF TEMPLATE.

MATERIAL	ALUMINUM	DRAWN	NJANSEN	12/12/2007	9702
	FINISH	CLEAR	ENG. APPR.	M MCRAE	
DO NOT SCALE DRAWING		TOLERANCES: FRACTIONAL: $\pm 0.015"$ ANGULAR: MACH: $\pm 1^\circ$ BEND: $\pm 1^\circ$ TWO PLACE DECIMAL: $\pm 0.01"$ THREE PLACE DECIMAL: $\pm 0.004"$		Q.A.	ALUMINUM DOUBLE I-BEAM TRACK
SIZE	DWG. NO.	SCALE: 1:4	WEIGHT: 0.24	SHEET 1 OF 1	
A	S-SD00034	REV. 01			